

# Vandal Resistant Pull Box Insert

Cabinets  
Controllers  
Signals  
Signs  
Software  
**Specialty**



## Overview

McCain's Vandal Resistant Pull Box Insert is a simple and effective means to reduce and discourage copper theft; providing safety and security to pull boxes of all types and sizes. Copper theft is a rising problem across the country, increasing 500% since 2001. This is not only costly to taxpayers and timely to repair, it can also create dangerous conditions and pose a severe threat to the national infrastructure. The unauthorized removal of existing copper can cause serious issues, including but not limited to loss of traffic signals, street lighting, and communications resulting in accidents, traffic delays, and injuries. Protect your valuable assets and infrastructure with McCain's patented Vandal Resistant Pull Box Insert.

## Benefits

- Protects essential infrastructure assets, promoting community safety
- Standard and custom sizes available
- Manufactured from hot dipped galvanized steel to prevent rusting
- Easily retrofits existing pull boxes
- Proven and tested third generation design

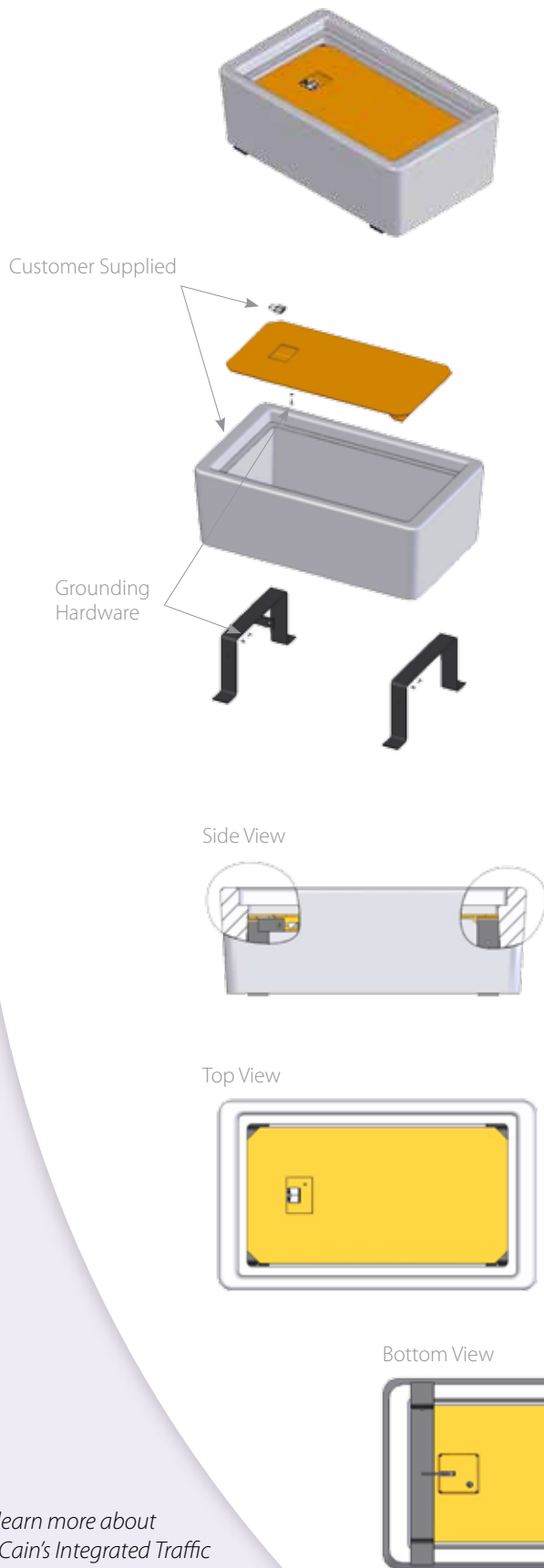
## Product Description

The McCain Vandal Resistant Pull Box Insert provides security and safety against unauthorized persons attempting to enter pull boxes. Its patented design quickly retrofits existing or new pull box installations in a matter of minutes without tools.

The insert is manufactured from hot galvanized steel to prevent rusting and used in combination with an off-the-shelf padlock furnished by the user. To resist it from being easily cut and removed with bolt cutters, the lid partially covers the lock.

McCain's Vandal Resistant Pull Box Insert fits most standard pull boxes and specifications for traffic signals, street lighting, electrical and communication applications. Custom sizes are also available.

# Vandal Resistant Pull Box Insert



## Standard Features

- Lid forms integral cover over lock shackle
- Lock housing welded to bottom of lid
- Mounting brackets, with tapped grounding holes (2)
- Tabs on mounting brackets slip under pull box walls
- Grounding kit includes bolts and washers to fasten ground wire to brackets (2 ea.)

## General Specifications

|                                |  |
|--------------------------------|--|
| Dimensions:                    | Varies according to style and size of pull box                   |
| Thickness:                     | Lid and Lock Box: 3/16"<br>Mounting Brackets and Lock Hasp: 1/4" |
| Material:                      | Steel  |
| Finishes:                      | Hot dipped, galvanized   |
| Shipping Weight:<br>(examples) | 28" L x 15" W: 39 lbs<br>21" L x 11" W: 25 lbs                   |

## Options

- Custom sizes
- Custom mounting

Installation Sequence:

Install Brackets



Install Lid



Install Lock\* & Close Pull Box Lid



*\*Lock and pull box are customer supplied*

To learn more about  
McCain's Integrated Traffic  
Solutions, please contact  
[info@mccain-inc.com](mailto:info@mccain-inc.com) or  
call (760) 727-8100



2365 OAK RIDGE WAY // VISTA, CALIFORNIA 92081 // USA // [WWW.MCCAIN-INC.COM](http://WWW.MCCAIN-INC.COM)

© 2012 McCain Inc. Updated 01/25/12. McCain reserves the right to change product specifications without notice.  
For the most up-to-date information, please contact McCain.