

Mushroom Flasher

Dual Circuit



Cabinets
Controllers
Signals
Signs
Software
Specialty

Overview

McCain's Mushroom Flasher is a compact, inexpensive, reliable device for flashing any traffic signal light and is ideal for a multitude of traffic warning applications. Easy to install, the flasher fits into any traffic signal head at the top or bottom of the framework opening. The Mushroom Flasher connects to the terminal block in the signal head - no extra electrical boxes or parts are required. Once installed, it will flash the signal, drawing attention to pertinent roadway signs and information.

Benefits

- Turns any traffic signal into a flashing signal
- MUTCD compliant
- Dual circuit
- Easy to install
- Requires no additional electrical boxes or parts, just plug-in and go
- Facilitates the installation of traffic warning signals

Product Description

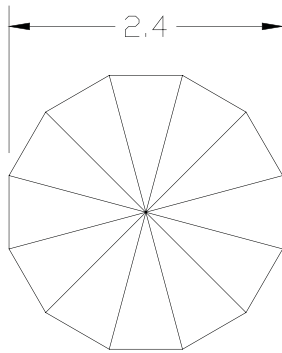
The McCain Mushroom Flasher contains flasher components inside a traffic signal ornamental cap. Designed to fit any opening that accepts 1.5 inch NPT fittings, the threaded unit comes with a neoprene rubber gasket and locknut.

The flasher will flash a signal at 56 flashes per minute with a duty cycle of 50%. It also features 15 inch leads with crimped spade terminals for rapid and easy attachment to a terminal block.

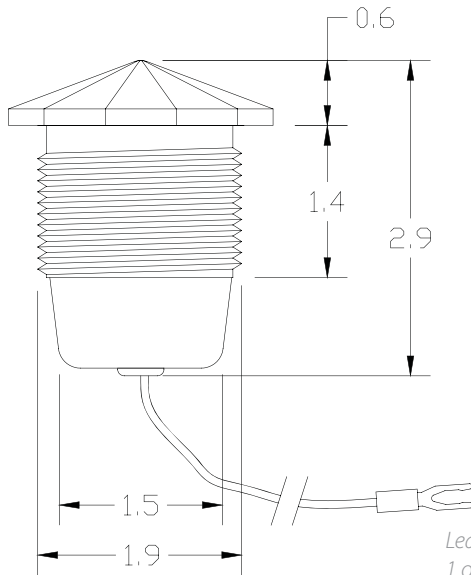
The McCain Flasher contains two alternating flashing circuits that can power alternating flashing signals, and the flasher can also be used in a single flashing signal mode. An in-line fuse on the AC hot lead is included.

Mushroom Flasher

Top



Side



Lead & Spade Terminal -
1 of 4 shown for clarity:
Black - AC In Hot
White - AC In Neutral
Red - Flashing Circuit #1 Hot
Blue - Flashing Circuit #2 Hot



Dimensions rounded to the nearest 0.1"

Standard Features

- Complies with applicable MUTCD standards
- Dual circuit powers alternating flashing signals
- Neoprene gasket and locknut
- 56 flashes per minute
- 50% duty cycle
- Housed in a traffic signal ornamental cap (pinnacle)
- 15 inch leads with spade terminals (4)
 - Black - AC In Hot
 - White - AC In Neutral
 - Red - Flashing Circuit #1 Hot
 - Blue - Flashing Circuit #2 Hot
- In-line fuse (5 A, 250 V, Slo-Blo, ¼"x1¼"; Bussman MDL-5)

General Specifications

Dimensions:	2.8" high x 2.4" diameter
Material:	Cast aluminum
Finish(es):	Powder coat
Color(s):	Federal yellow, signal green, or black
Power:	120 VAC input 500 watt maximum AC load
Mounting:	1.5" NPT
Environment:	Operating Temperature: -37° C to +74° C Humidity: 0 to 95% (non-condensing)
Shipping Weight:	6.3 oz

To learn more about
McCain's Integrated Traffic
Solutions, please contact
info@mccain-inc.com or
call (760) 727-8100



2365 OAK RIDGE WAY // VISTA, CALIFORNIA 92081 // USA // WWW.MCCAIN-INC.COM

© 2011 McCain Inc. Updated 02/3/11. McCain reserves the right to change product specifications without notice. For the most up-to-date information, please contact McCain.