

Pedestrian Pushbutton

5" x 7"

9" x 12"

ADA Compliant



5" x 7" Pushbutton
(plate sold separately)



9" x 12" Pushbutton
(plate sold separately)

Cabinets
Controllers
Signals
Signs
Software
Specialty

Overview

McCain's Pedestrian Pushbuttons are designed for use in conjunction with pedestrian signals to promote the experience and safety of people at intersections. Promoting freedom of mobility, McCain two-inch pushbuttons can be operated with minimal force, in compliance with the Americans with Disabilities Act (ADA) guidelines. Pushbuttons all feature a stainless steel design and compatibility with a wide variety of push button message plates.

Benefits

- Two-inch activator button meets or exceeds ADA guidelines
- Adjustable mounting rails accommodate a range of post sizes
- Dust-proof, water-resistant switch tested to 10 million cycles

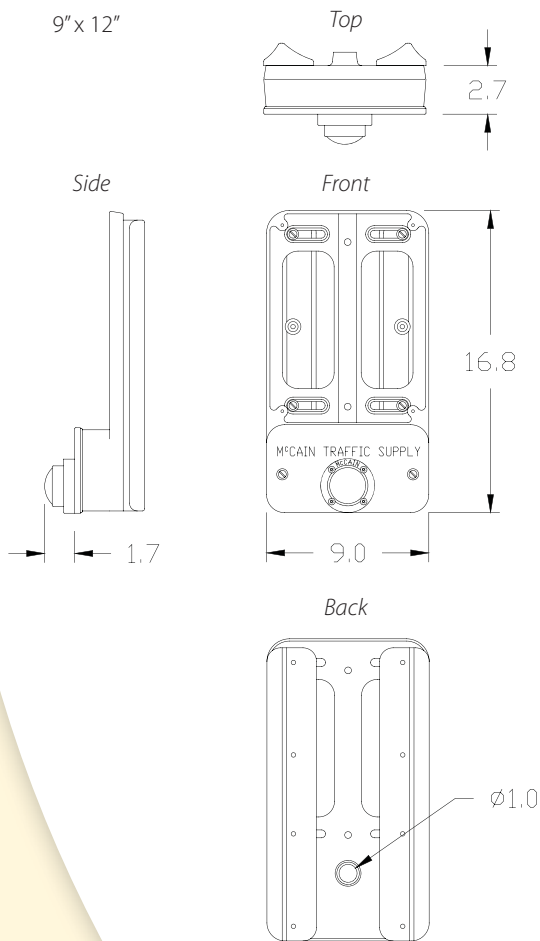
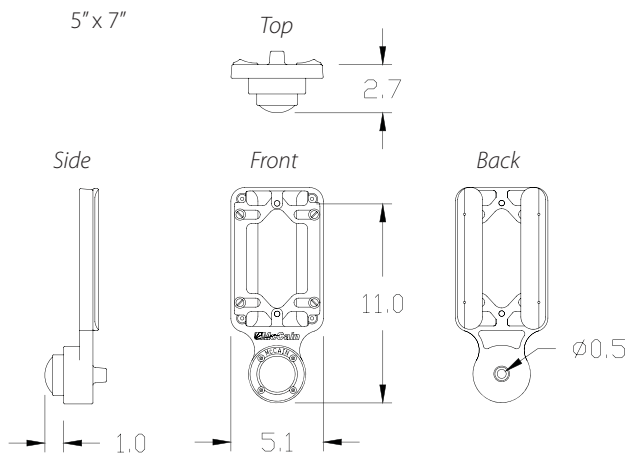
Product Description

The McCain Pedestrian Pushbuttons are used by pedestrians to indicate a desire to cross an intersection. The pushbuttons communicate with local intersection controllers to minimize undue pedestrian delay by expediting phase timing and/or ensuring that the vehicular phase timing is extended to permit enough time for the pedestrian to safely cross.

McCain manufactures two sizes of pedestrian pushbutton housings with adjustable mounting rails to accommodate a full range of post sizes. McCain's two-inch pushbutton is ADA compliant.

The pushbutton actuator and associated parts are fabricated from stainless steel and the housings are available in a variety of colors to meet your needs.

Pedestrian Pushbutton



Dimensions rounded to the nearest 0.1"

Standard Features

- Meets or exceeds ADA guidelines
- Activating force of less than 3.5 lbs
- Dustproof, water-resistant switch
- Adjustable pole mounting brackets

General Specifications

	5" x 7"	9" x 12"
Housing Dimensions:	5.1"W x 11.0"H x 2.7"D	9.0"W x 16.8 H x 2.7"D
Button Diameter:	2"	2"
Plate Mounting Hole Spacing:	4.0"W x 6.75"H	7.25"W x 10.25"H
Housing Material:	Cast aluminum	
Button Material:	Stainless steel	
Finish(es):	Powder coat	
Color(s):	Federal yellow, signal green, black, or custom color	
Switch Activating Force:	3.5 lbs (15.6 N)	
Mounting:	Adjustable pole mount	
Shipping Weight:	5" x 7" - 2.7 lbs	9" x 12" - 8.3 lbs

Options

- Wide variety of cover plates (i.e., with pedestrian instructions)
- 2" ADA pushbutton available separately to retrofit existing standard, non-ADA pushbuttons
- Tamper-resistant screws

2" ADA pushbutton



To learn more about McCain's Integrated Traffic Solutions, please contact info@mccain-inc.com or call (760) 727-8100



2365 OAK RIDGE WAY // VISTA, CALIFORNIA 92081 // USA // WWW.MCCAIN-INC.COM

© 2011 McCain Inc. Updated 04/12/11. McCain reserves the right to change product specifications without notice. For the most up-to-date information, please contact McCain.