

VANDAL RESISTANT PULL BOX INSERT



CABINETS
CONTROLLERS
DETECTION
PARKING
SIGNALS
SIGNS
SOFTWARE
SPECIALTY

Overview

McCain's Vandal Resistant Pull Box Insert is a simple and effective means to reduce and discourage copper theft; providing safety and security to the most common pull box types and sizes. Copper theft is a rising problem across the country, increasing 500% since 2001. Costly to taxpayers and timely to repair, it can also create dangerous conditions and pose a severe threat to the national infrastructure. The unauthorized removal of existing copper can cause loss of traffic signals, street lighting, and communications resulting in accidents, traffic delays, and injuries. Protect your valuable assets and infrastructure with McCain's patented Vandal Resistant Pull Box Insert.

Benefits

- Protects essential infrastructure assets, promoting community safety
- Manufactured from hot-dipped galvanized steel to prevent rusting
- Easily retrofits standard pull boxes
- Proven and tested third-generation design

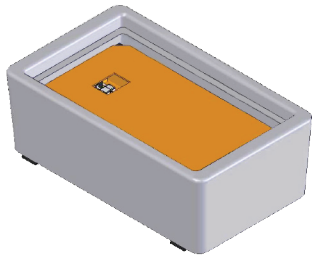
Product Description

The McCain Vandal Resistant Pull Box Insert provides security and safety against unauthorized persons attempting to enter pull boxes. Its patented design retrofits existing or new pull box installations in minutes without tools.

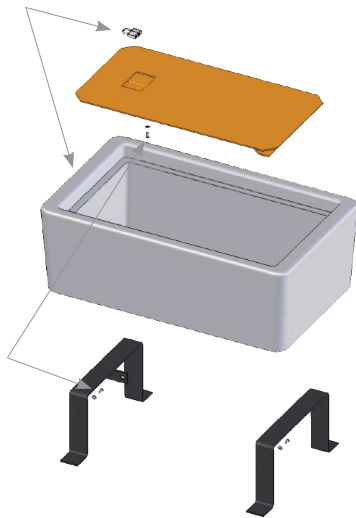
The insert is manufactured from hot galvanized steel to prevent rusting and used in combination with an off-the-shelf padlock furnished by the user. To inhibit it from being easily cut and removed with bolt cutters, the lock is partially covered by the lid.

McCain's Vandal Resistant Pull Box Insert fits most standard pull boxes and specifications for traffic signals, street lighting, electrical and communication applications.

Vandal Resistant Pull Box

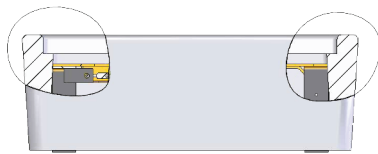


Customer Supplied

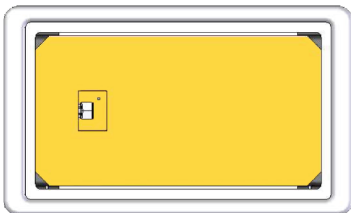


Grounding Hardware

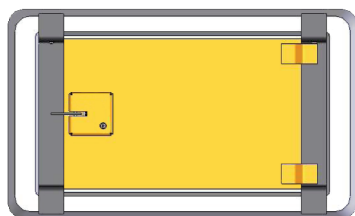
Side View



Top View



Bottom View



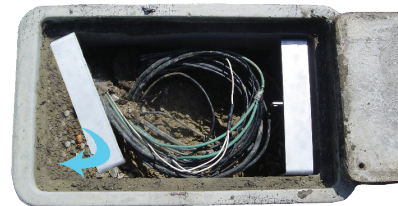
Standard Features

- Lid forms integral cover over lock shackle
- Lock housing welded to bottom of lid
- Mounting brackets, with tapped grounding holes (2)
- Tabs on mounting brackets slip under pull box walls
- Grounding kit includes bolts and washers to fasten ground wire to brackets (2 ea.)

General Specifications

Dimensions:	Varies according to style and size of pull box
Thickness:	Lid and Lock Box: 3/16" Mounting Brackets and Lock Hasp: 1/4"
Material:	Steel
Finishes:	Hot dipped, galvanized
Shipping Weight:	28" L x 15" W: 39 lbs (examples) 21" L x 11" W: 25 lbs

Installation Sequence:
Install Brackets



Install Lid



Install Lock & Close Pull Box Lid



Lock and pull box are customer supplied