

M ATC Cabinet

Cabinets

Controllers

Signals

Signs

Software

Specialty



Front



Back

Overview

The M ATC Cabinet is part of McCain's revolutionary ATC cabinet series which provides the latest in ATC technology to meet the needs of today's LED intersections. The traditional "M" footprint features side-by-side front and back-door design with reduced door swing, ideal for congested or narrow walkways. Through best-in-class diagnostics, smart components, and cutting-edge technology, McCain's ATC Cabinets are the safest available today. With the most sold in the industry, our proven ATC Cabinets meet the needs of today's smart cities and are ready for tomorrow's challenges, including the future of connected and autonomous vehicles.

Benefits

- Safeguards against accidental shock from inadvertent contact with high voltages
- Detects a dark approach for increased driver safety
- Monitors FTR and flasher continuously to ensure operability
- Promotes easy access with side-by-side front and back door designs with
- Reduced door swing ideal for heavily trafficked walkways.
- Connected vehicle ready

Product Description

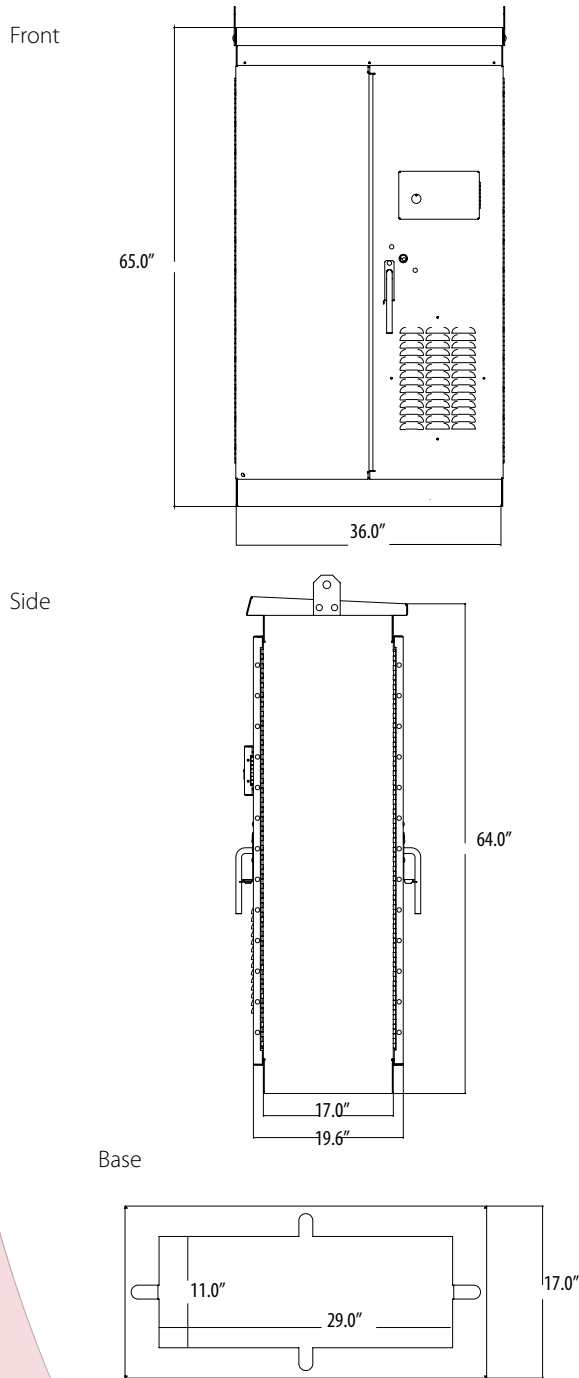
The McCain M ATC Cabinet's modern design and advanced safety features complement the operational capabilities of ATC controllers and aim to protect agency, personnel, and public interests.

Unrivaled benefits include load current monitoring to detect a dark approach, no AC power exposed to reduce accidental contact with high voltages, and the ability to keep the intersection in flash while replacing the output assembly.

The cabinet can manage up to 48 detector inputs and 16-channel outputs without any complex wiring. Compact components take up half the space with 48 input channels fitting in the space of the 24-channel input assembly.

Each M ATC Cabinet comes configured to meet individual needs.

M ATC Cabinet



Dimensions rounded to the nearest 0.1"

Standard Features

- Field output termination assembly provides removable contact blocks for easy connections to field signal wires, sockets for flash transfer relays (FTRs), and flash program blocks (FPBs) for output channels
- All channels are flashable and programmable
- FPBs control and select the color (red, yellow, or dark) during flash
- Hermetically sealed high-density FTR features an LED indicator to visually confirm relay is operational and contacts have transferred
- Interior LED cabinet light
- Model 2202 dual flasher/switch pack combination
- Exterior is continuously welded

Assemblies & Components

- 24 or 48-channel input assembly
- 2 or 4-channel industry standard detection modules
- 4 channel detector, PPB, EVP, etc.
- 16-channel output assembly
- 32-channel CMU
- CMU auxiliary display unit
- Model 2216-24 cabinet power supply
- DC power/communication assembly
- Clean AC power assembly
- Garmin GPS communication panel
- Police panel with On/Off, MCE, Auto/Flash. and Interval Advance push-button cable
- Slide-out drawer for storing programming blocks, plans etc.

General Specifications

Dimensions:	65" H x 36" W x 20" D (rounded to the nearest inch)
Material:	5052-H32 aluminum, 0.125" thick
Finishes:	Natural, powder coat (standard, anti-graffiti, and custom colors), anodized
Access:	Front door (2), Rear door (2)
Latching System:	3-point, choice of Corbin or Best locks
Handles:	3/4" round, stainless steel with padlock hasp
Door Stops:	90° and 180° (±10°), bottom
Rack Assembly	Removeable 19" EIA Rack
Ventilation:	Thermostatically controlled 100 CFM fan Louvered air intake in door, Ring Panel air filter
Mounting:	Base mounted
Shipping Weight:	235 lbs without plug-ins or controller

Options

- 3/4" x 16" anchor bolts for mounting (4)

To learn more about
McCain's Integrated Traffic
Solutions, please contact
info@mccain-inc.com or
call (760) 727-8100



2365 OAK RIDGE WAY // VISTA, CALIFORNIA 92081 // USA // WWW.MCCAIN-INC.COM

© 2019 McCain Inc. Updated 03/04/2019. McCain reserves the right to change product specifications without notice.
For the most up-to-date information, please contact McCain.